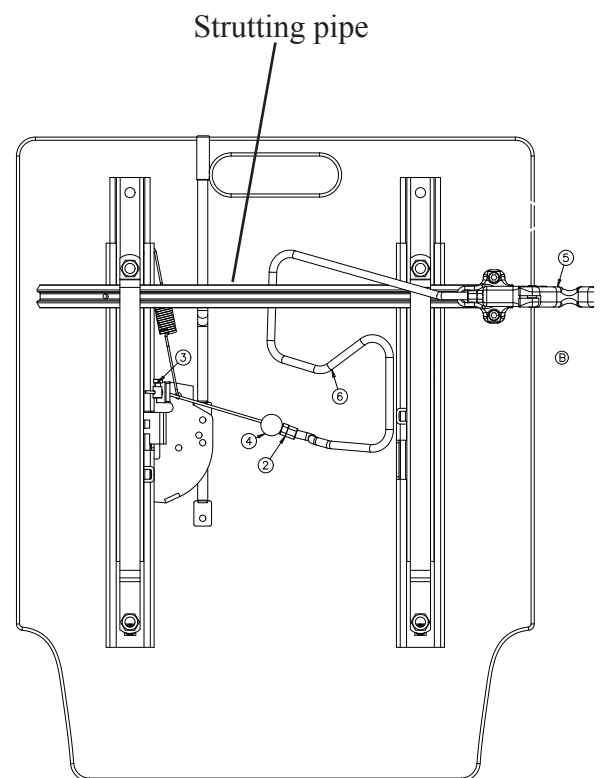
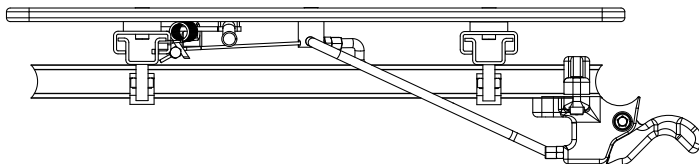


# Mounting description for Release handle sliding seat Item no complete kit: 23810



Drill hole  $\varnothing 6.1$  in pos.1 and screw together pos. 1 and pos. 4.  
Attach pos. 5 to the strutting pipe.  
Cut the wire, thread it like shown and attach it with pos. 3.  
Tight or slack the wire with pos. 2

Cut stocking to 510mm

